

Mifare MF-200 Series Reader Reader/Writer

Mifare Series

With our Mifare MF-200 Series product, we can read and write any memory location of a Mifare1 and Mifare4 card. Because of our "Super Safety" design, and internal EEPROM for the "Key" information, once the user uploads the key information to the reader, no one can see the "Key" information. Also, the user does not need to know the "Key" of their system when he wants to format a card (change the "Key" of a new card to their system's "Key").

The MF-200 development kit can provide full detail information for you to develop your own software that drives our MF-200 Reader / Writer directly.

Our MF-200EMU Series Reader has a wide range of output formats for different applications. We have BarCode TTL, Magnetic Card ABA Track 2, PS2 Keyboard, USB keyboard and Wiegand output for the user to modify their old system to use the up-to-date Mifare technology with no further modification.

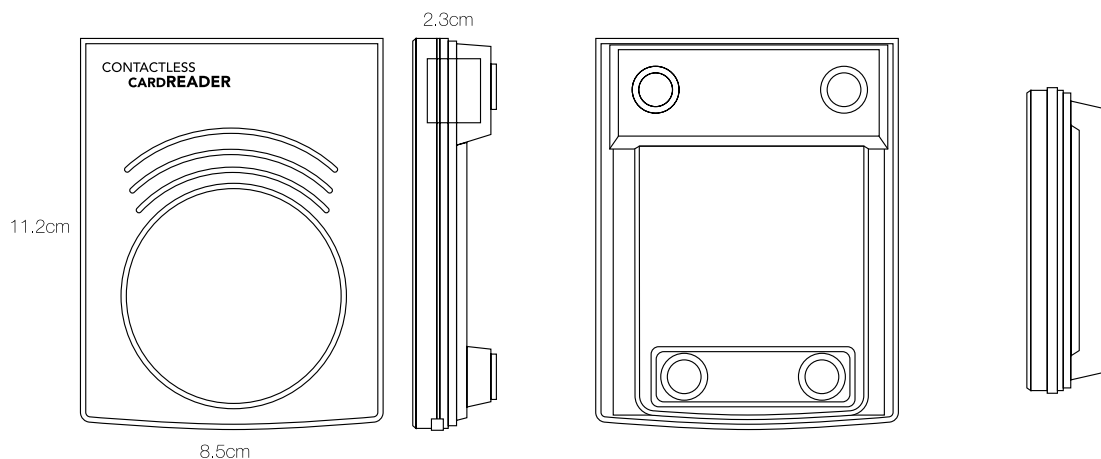
ME card, ISO 14443A,B, ISO15693 and Felica Series

Our MF-200ISOEMU Reader can read different kinds of contactless cards with different standards (reading card serial number only). It can provide a wide range of output formats for different applications. We have BarCode TTL, Magnetic Card ABA Track 2, PS2 Keyboard, USB keyboard and Wiegand output for the user to upgrade their old system to use the up-to-date contactless technology and multi-card ability (different standards) with no further modification.



Hong Kong Office
Flat B, 8/F, Wong Tze Building, 71 Hoi Yuen Road, Kwun Tong, Kowloon, Hong Kong
Tel: (852)2319 2668 Fax: (852)2319 2744
Email: salesct@chinetekgroup.com Website: www.chinetekgroup.com

Physical Dimension



	MF-200	MF-200EMU	MF-200ISOEMU
Card Standard	Mifare	Mifare	ME, ISO14443A, B, ISO15693, Felica
Operating Frequency	13.56MHz	13.56MHz	125kHz and 13.56MHz
Card Interface Baud Rate	106k	106k	N/A
Operating Distance	50mm	50mm	50mm
Reading Time	<100ms	<100ms	<200ms
Reading Memory Location	ALL	ALL	Serial number only
Writing Memory Location	ALL	N/A	N/A
Interface to PC	RS232, USB	RS232	RS232
Communication Band Rate(to PC)	9600	9600	9600
Supply Voltage	5VDC	5VDC	5VDC
Output Data	N/A	RS232, USB keyboard, PS2 keyboard, Barcode TTL, Magnetic ABA, Wiegand	RS232, USB keyboard, PS2 keyboard, Barcode TTL, Magnetic ABA, Wiegand