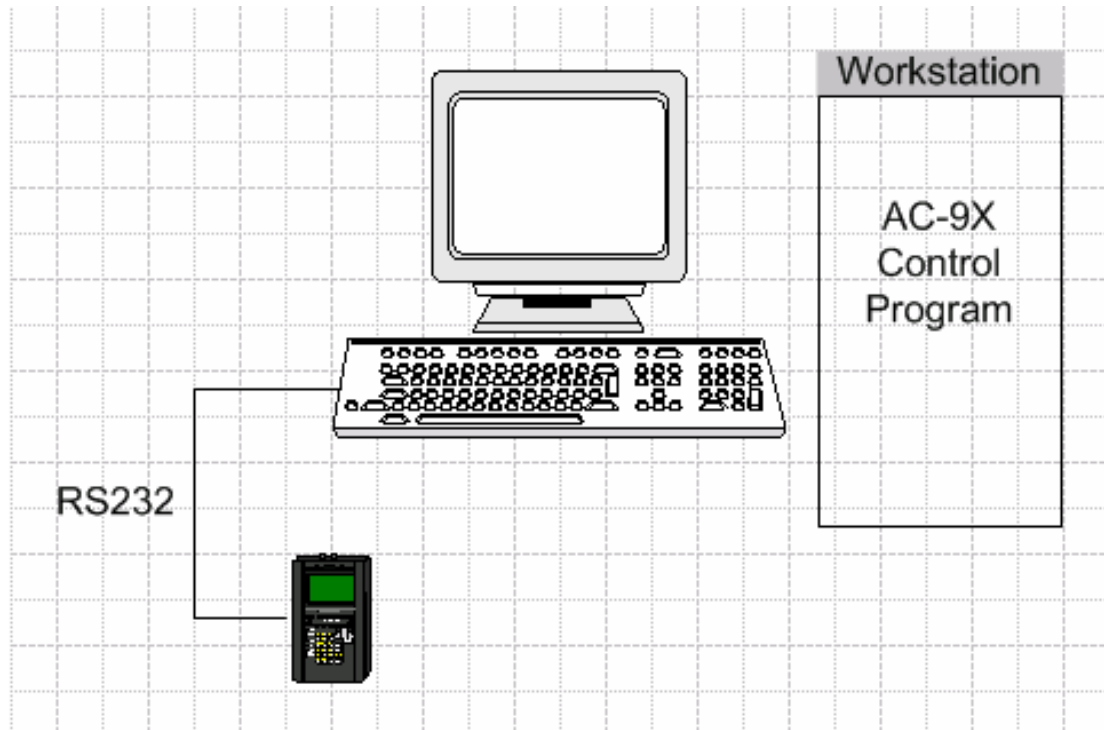


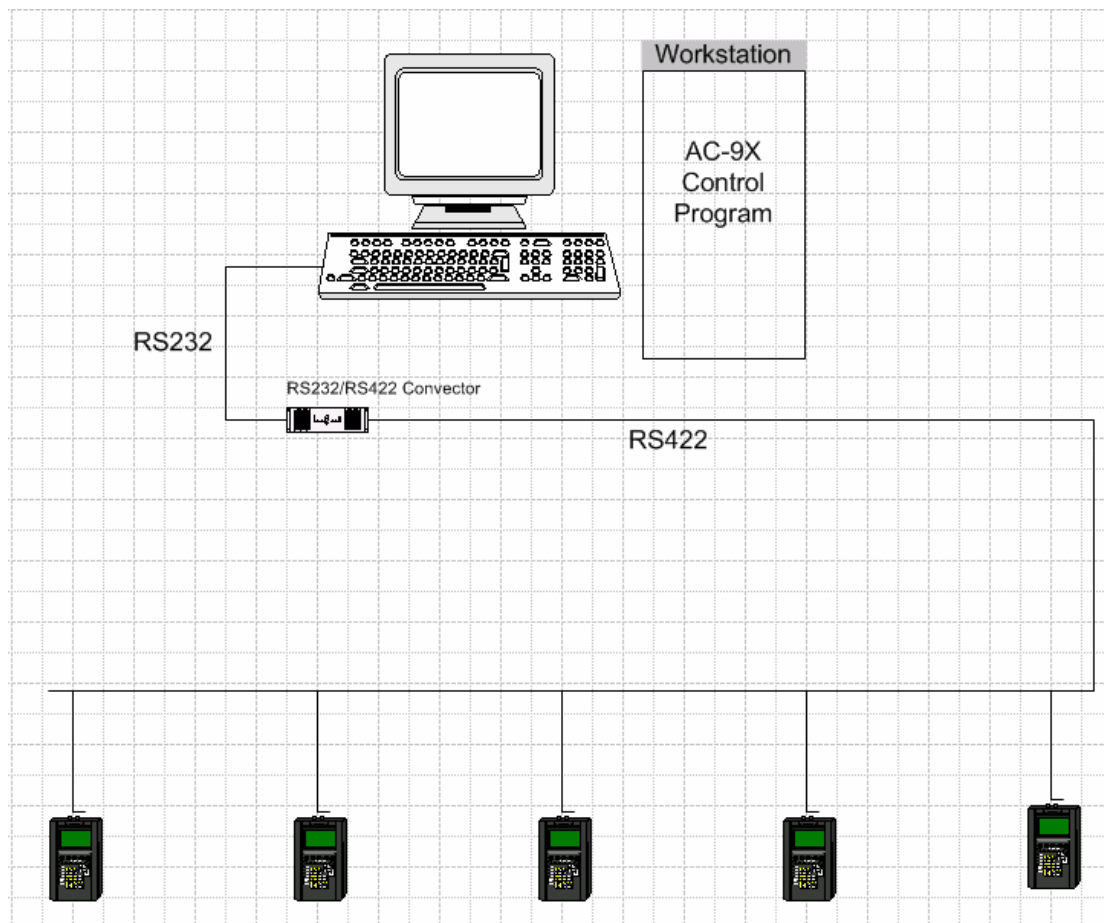
Connection Diagram

RS232 Connection



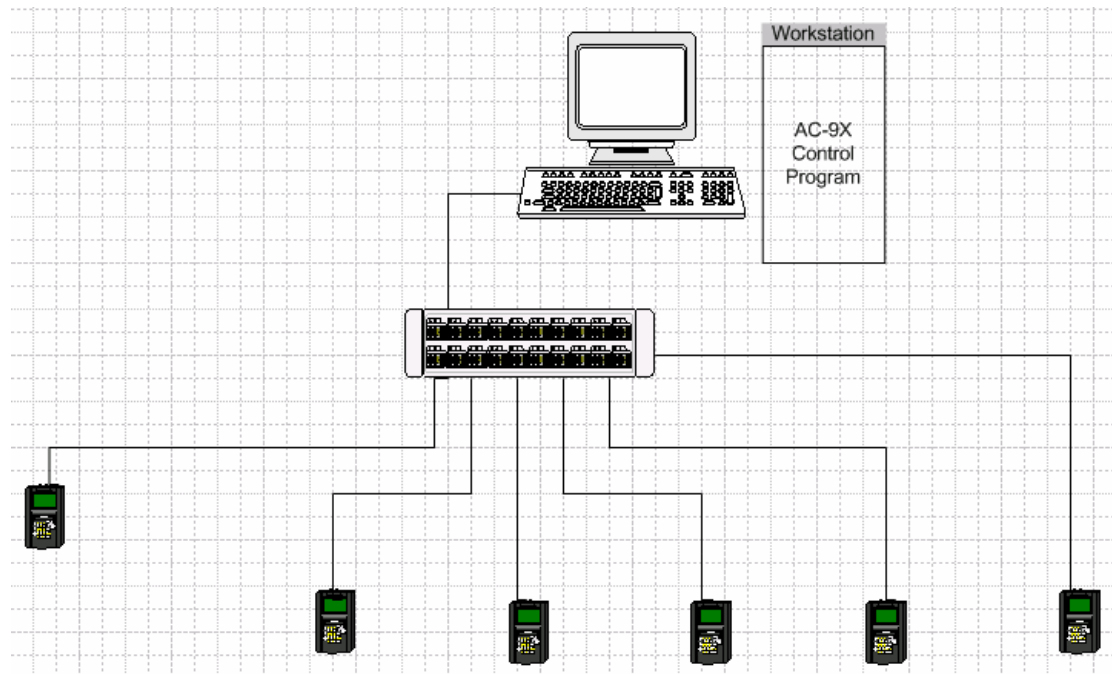
Hardware: AC-90 + TT-001 + Door Release Button + Door Lock

RS422 Connection



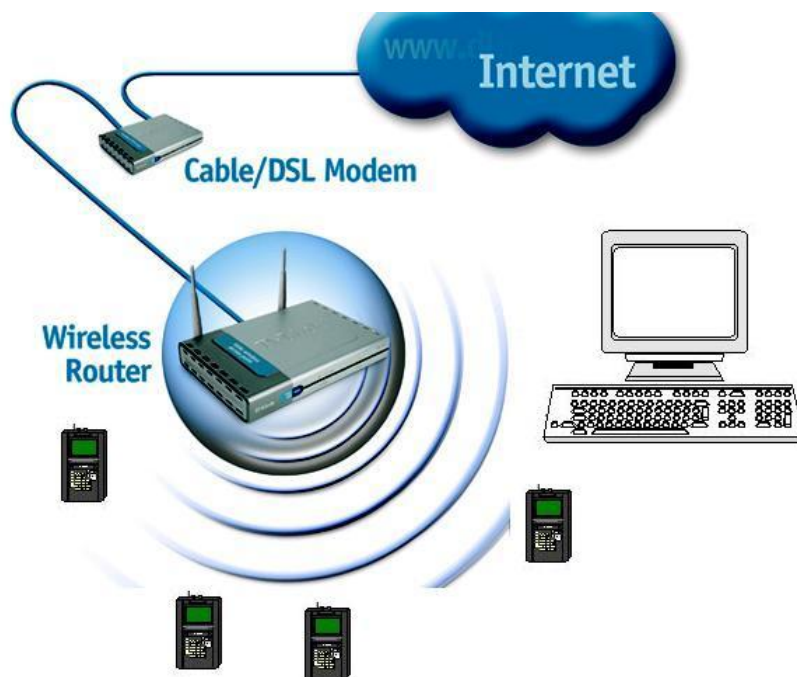
Hardware: AC-90 + OP-001 + OP-011 + TT-001 + Door Release Button + Door Lock

TCP/IP and Internet connection



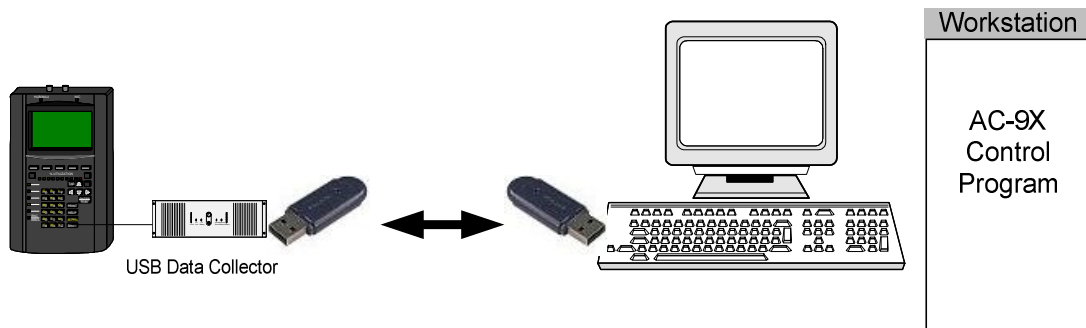
Hardware: AC-90 + NS-001 + TT-001 + Door Release Button + Door Lock

TCP/IP and Internet Wireless connection



Hardware: AC-90 + NS-001 + WL-001 + TT-001 + Door Release button + Door Lock

Using USB Data Collector



Hardware: AC-90 + UA-001-000 + USB Memory Stick + TT-001 +
Door Release Button + Door Lock